

Material List

- 1 2" x 6" x 8' Treated Lumber
- 1 2" x 8" x 10' Treated Lumber
- 1 2" x 12" x 8' Treated Lumber
- 6 3/8"x3.5" Galvanized Carriage Bolt, Nut, & Washer
- 16 3" Exterior Screws Rated for Treated Lumber

**Though these instructions produce one bench, the leftover lumber could provide you with almost all of the material for two benches. To make two benches, you will need one additional 2"x8"x10' and double the amount of hardware listed above.*

Step 1 - Cut Lumber

First, set the mitre saw to 30°. From the 2"x8"x10' board cut the end off to give an initial angle. Then, cut two pieces to 33" and two pieces at 18".

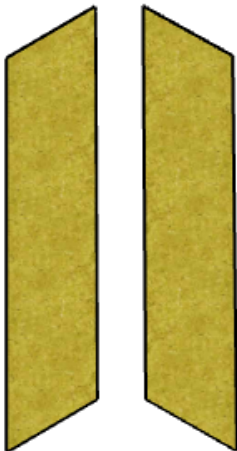
Set the saw back to 0°.

From the 2"x6"x8' cut one piece to 48". Then, from the 2"x12"x8' cut one piece to 45".

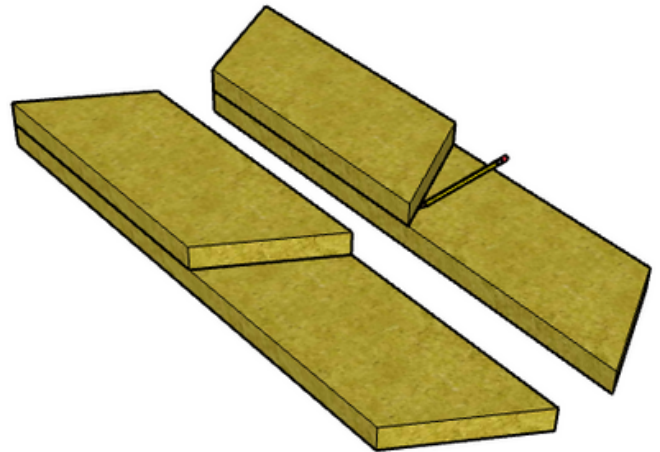
**Refer to the last page for a graphic cut sheet.*

Step 2 - Assemble the Legs

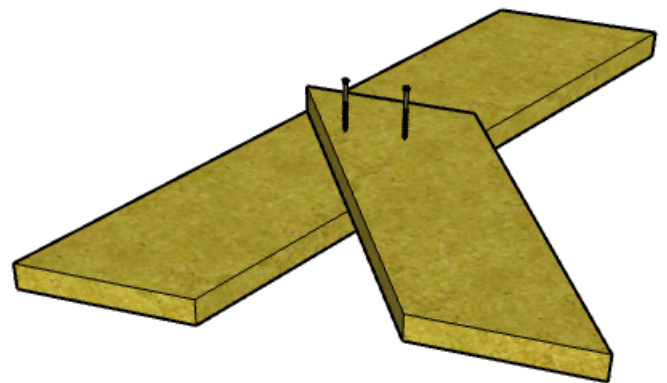
To avoid making two legs of the same side, lay out both 33" pieces in a mirrored manner, like so:



Next, lay the 18" pieces on top of the 33" pieces aligning both sides and one end. Then scribe a line along the edge of the 18" pieces onto the face of the 33" pieces.

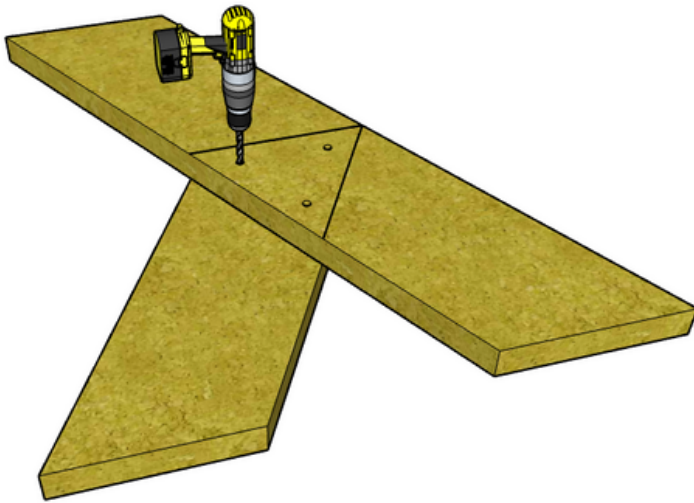


Flip the 18" piece over and align the angled edge with the previously scribed line to place it in its final position.



Screw in two 3" exterior screws to join these two pieces together. Place them strategically to avoid the bolt locations in the next step.

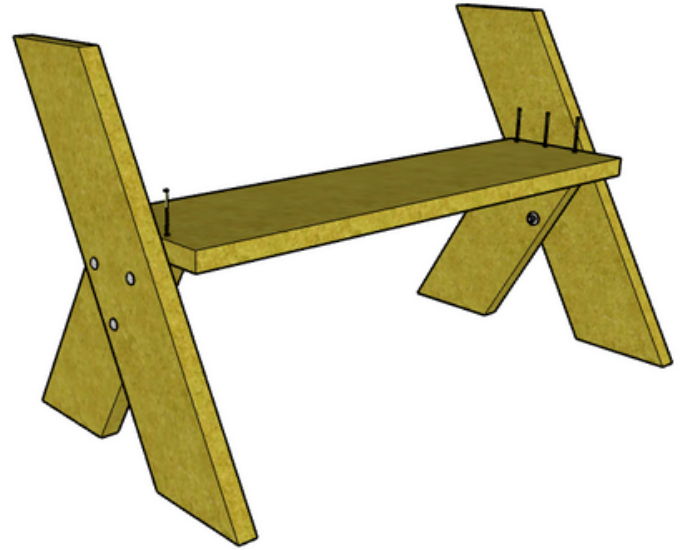
Flip the two sets of legs over so the 18" piece's are on bottom. Draw two lines to represent where the 18" piece overlaps the 33". Then mark about an 1.5" in from each point of the triangle. Using a 3/8" drill bit, drill all three holes straight through both pieces of the legs. **Note: you will want to raise the workpiece off of the surface it is resting on so the drill bit can pass through the workpiece completely without puncturing a surface on the other side.*



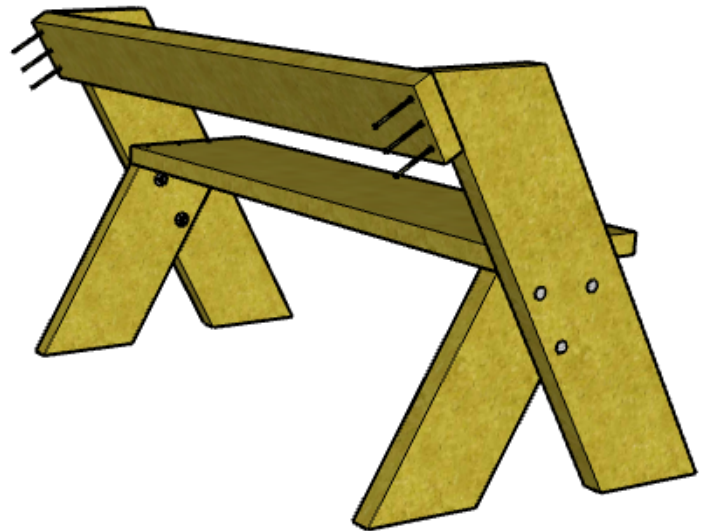
Next hammer the bolts into these holes and add a washer and nut to the other side. Wrench down tightly until the wood slightly starts to compress. Now the legs are complete.

Step 3 - Final Assembly

Stand up the legs and place the 2"x12"x45" on top of the 18" part of the legs, aligning the back of the seat flush to the back corner of legs. Then drive three 3" screws through the seat into the 18" pieces.



Now, attach the 2"x6"x48" to the back of the legs aligned with the top edge using six 3" screws, three on each side.



Your bench is now complete!

Wooden Bench Building Instructions

Cut Sheet for 1 Bench

